

1 Before you begin

WARNING: Before you set up and operate your Dell system, review the safety instructions that shipped with your system.

Read the Dell Software License Agreement

- Before using your system, read the Dell Software License Agreement that came with the system.
- You must consider any media of Dell installed software as BACKUP copies of the software installed on your system.
- If you do not accept the terms of agreement, call the customer assistance telephone number. For customers in the United States, call 800-WWW-DELL (800-999-3355). For customers outside the United States, see Dell.com/support and select your country or region from the bottom of the page.
- For documentation and information updates, see Dell.com/support/home.

Locating your system Service Tag

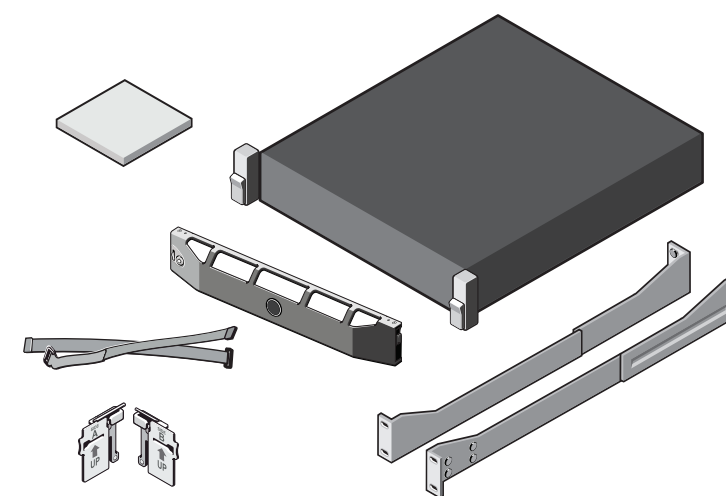
- Your system is identified by a unique Express Service Code and Service Tag. Pull out the information tag in front of your system to view the Express Service Code and Service Tag.
- Save this information for future reference. This information is used by Dell to route support calls to the appropriate personnel.

NOTE: The illustrations in this document are not intended to represent a specific system.



2 Verifying system components

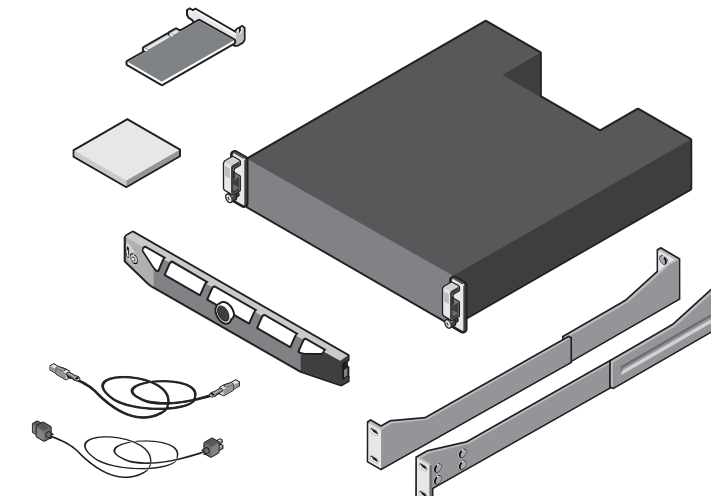
System components



Dell DR4300 system

Includes:

- System bezel (optional)
- Power cables (optional)
- Power cable retention straps (2)
- Pair of mounting rails (optional)
- Cable management arm (optional)
- System documentation



Dell MD1400 storage enclosure (optional)

Includes:

- System bezel (optional)
- Power cables (optional)
- SAS cables (optional)
- RAID controller card (optional)
- Pair of mounting rails (optional)
- System documentation

Check for documentation and information updates on Dell.com/support/home.
Always read the updates first because they often supersede information in other documents.

3 Pre-installation requirements

Network

- An active network with available Ethernet cables and connections.
- If your system has a 1 GbE NIC, connect all NIC ports on the NIC daughter card. If your system has a 10 GbE NIC, connect the 10 GbE ports on the NIC daughter card.
- If your system has both 10 GbE and 1 GbE NIC's then by default the 1 GbE NIC will be disabled. If you want to modify the default setting, see the *Dell DR Series System Command Line Reference Guide*.

NOTE: Dell recommends to use CAT6a copper cables with a 10 GbE NIC. If you have an enhanced small form factor pluggable (SFP+) NIC, you must use a Dell supported SFP+ LC fiber optic transceivers or twin-axial cabling. For more information on network cabling, see the *Dell DR Series System Interoperability Guide*.

IP Addresses

- Network values required are for IP addressing, Subnet Mask, Default Gateway, DNS Suffix, Primary (and Optional) DNS server, and Host Name. If DHCP is selected, then these values are populated based on your DHCP configuration. If DHCP is not selected, then these values must be manually configured.

NOTE: It is recommended to use static IP.

- Default values required are:

- Default Static System IP: **10.77.88.99**

NOTE: Default static system IP is used only when there is no DHCP server. The default IP can be used to configure the system using a point to point NIC connection.

- Subnet mask IP: **255.0.0.0** and Default iDRAC IP: **192.168.0.120**.

NOTE: For iDRAC connection, the login name is *root* and password is *calvin*.

- On the first boot, you must set up the network and the host name for the Dell DR4300 system.
- After the operating system and network are configured, the system can be managed using a remote browser interface.

4 Installing the DR Series system hardware

Note: Do not turn on the system(s) before setting up your DR Series system's hardware and connecting the system to the optional MD1400 storage enclosure.

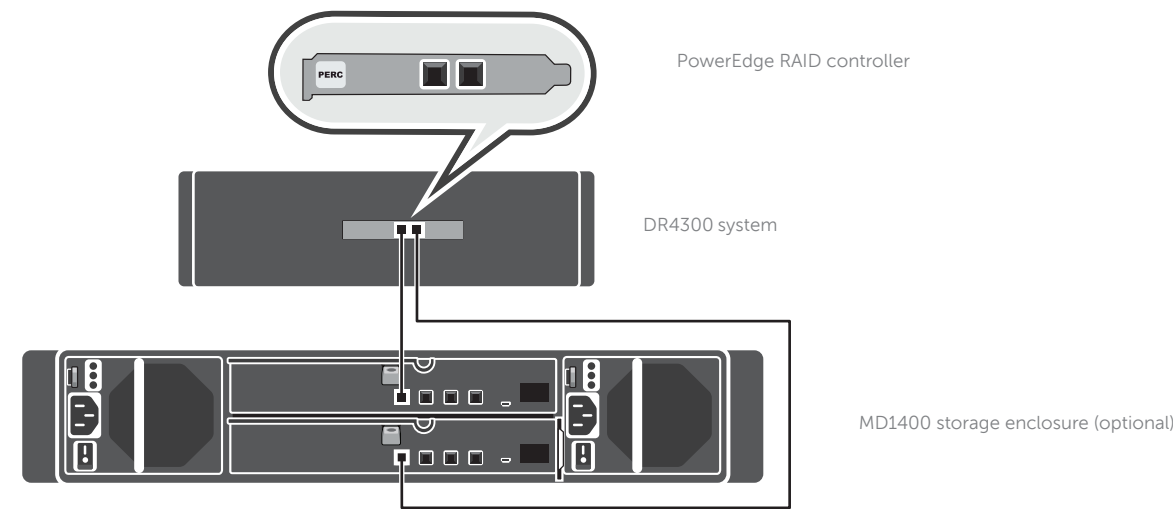
Installing the DR Series system hardware involves setting up the system and then connecting the system to the optional MD1400 storage enclosure. Complete the steps in the following procedures to install your DR Series system.

Installing your DR Series system hardware and optional MD1400 storage enclosure:

1. Install the rails for the DR4300 system.
For information about installing the rails for the DR4300 system, see the Rack Installation Instructions that shipped with the DR4300 rail kit.
 2. Set up the DR4300 system.
For information about setting up the DR4300 system, see the *Dell DR4300 Getting Started With Your System* that shipped with your system.
 3. Install the rails for the MD1400 storage enclosure.
For information about installing the rails for the MD1400 storage enclosure, see the Rack Installation Instructions that shipped with the storage enclosure kit.
 4. Set up the MD1400 storage enclosure.
For information about setting up the MD1400 storage enclosure, see the *Dell MD1400 Storage Enclosures Getting Started Guide* that shipped with the storage enclosure.
 5. Install the optional cable management arm for the DR4300.
For information about installing the Cable Management Arm (CMA), see the CMA Installation Instructions that shipped with the CMA kit.
 6. Cable your MD1400 storage enclosures (Optional).
For information about cabling the DR4300 system with your MD1400 expansion shelves, see Expansion Shelf Cabling in the *Dell DR Series System Administrator Guide*.
- Note:** Ensure that you power on the MD1400 storage enclosures before powering on the DR4300 system.
7. Power on your MD1400 storage enclosure and then your Dell DR4300 system.
 8. Log in to the DR Series system CLI using the local console KVM connection or an iDRAC connection and configure the network using the **Initial System Configuration Wizard**.
The default user name is **administrator** and the default password is **St0r@ge!**
To configure the network, proceed to section 6.



5 Connecting the DR4300 system to the MD1400 storage enclosure (optional)



For redundant port configuration:

1. Connect one end of each SAS cable to port 0 and port 1 on the DR Series system PERC controller.
2. Connect the other end of each SAS cable to port 1 on each Enclosure Management Module (EMM) on the MD1400 storage enclosure.
NOTE: To locate the primary EMM, see the *Dell MD1400 Storage Enclosure's Owner's Manual* at Dell.com/support/home.
NOTE: For information about cabling the DR4300 system with your MD1400 expansion shelves, see Expansion Shelf Cabling in the *Dell DR Series System Administrator Guide* at Dell.com/support/home.

6 Configuring the DR4300 system network

```

=====
Initial System Configuration Wizard
=====

Welcome! You appear to have logged into this system for the first time.
This wizard will help you set up the networking and host name.

NOTE: The MAC address for DHCP reservations is D4:AE:52:9A:C3:C3

Would you like to configure network settings (yes/no/later) ?
    
```

After logging into the DR Series system for the first time, the **Initial System Configuration Wizard** window is displayed. To configure the network settings:

1. Type `yes`, and press <Enter>.
2. Choose either DHCP or static IP addressing.
 - a. To select DHCP, type `yes` and press <Enter>.
 - b. To select static IP addressing, type `no` and press <Enter>.
NOTE: If you choose static IP addressing, you will be prompted to enter the static IP address. Enter the static IP address and press <Enter>. For static IP address, enter a subnet mask a default gateway address, a DNS suffix and a primary DNS address. After configuring the primary DNS address, an option to configure your secondary DNS address is displayed, type `yes` or `no` as appropriate and press <Enter>.
3. To change the default host name, type `yes` and press <Enter>.
NOTE: For example, the default host name is the Service Tag number of the DR Series hardware appliance.
4. To accept the settings, type `yes` and press <Enter>.
5. If you want to change any of these settings, type `yes` or `no` as appropriate and press <Enter>.

After the network settings are completed, the **Initial System Configuration Wizard** displays a confirmation screen with all the values you entered in this step.
For more information, see the *Dell DR Series System Administrator Guide*.

7 Logging in to the DR Series system using a web interface



After the **Initial System Configuration Wizard** is complete, log in to the DR Series system using the supported web browser.

NOTE: The **DR Series System Login** page may display a warning message if the web browser you are using does not support the DR Series system.

Log in to the system using the default user name: **administrator** and the default password: **St0r@ge!**

8 Additional information

Important Updates

Note: After you complete setting up the Dell DR4300 system, navigate to Dell.com/support/home, enter your system service tag, and select **Get Drivers** for any software updates. Apply the updates before using the system for the first time.

- To update the system software, download the **DR4300 Upgrade Manager File** from Dell.com/support/downloads and apply the upgrade using the web console or CLI.
- To reinstall the system, download the **Dell DR4300 Restore Manager** from Dell.com/support/downloads.
NOTE: For information about upgrading the DR Series system software and Restore manager, see the *Dell DR Series System Administrator Guide*.

Documentation

Title	Description
Dell DR4300 - Getting Started With Your System	The Getting Started With Your System placemat provides an overview of setting up your solution and technical specifications. This document is shipped with your system and is also available at Dell.com/support/home .
Dell DR Series System Administrator Guide	The Administrator Guide provides information on configuring, managing, updating, and restoring the system. This document is available online at Dell.com/support/home .
Dell DR4300 System Owner's Manual	The Owner's Manual provides information about solution features and describes how to troubleshoot the system and install or replace system components. This document is available at Dell.com/support/home .
Rack Installation Instructions	The rack documentation included with your rack solution describes how to install your system into a rack. This document is shipped with your rack solution and is also available at Dell.com/support/home .
Dell DR Series System Release Notes	The Release Notes provide the latest information about new features and known issues with a specific product release. This document is available at Dell.com/support/home .
Dell DR Series System Interoperability Guide	The Interoperability Guide provides information about the supported hardware and software versions for the Dell DR Series system. This document is available at Dell.com/support/home .
Dell DR2000v Deployment Guide	Provides information about deploying the virtual DR2000v system on supported virtual platforms. This document is available at Dell.com/support/home .



OJ2RCTA01



Printed in the U.S.A.

© 2015 Dell Inc.
This product is protected by U.S. and international copyright and intellectual property laws. Dell™ and the Dell logo are trademarks of Dell Inc. in the United States and/or other jurisdictions. All other marks and names mentioned herein may be trademarks of their respective companies.
2015 - 11